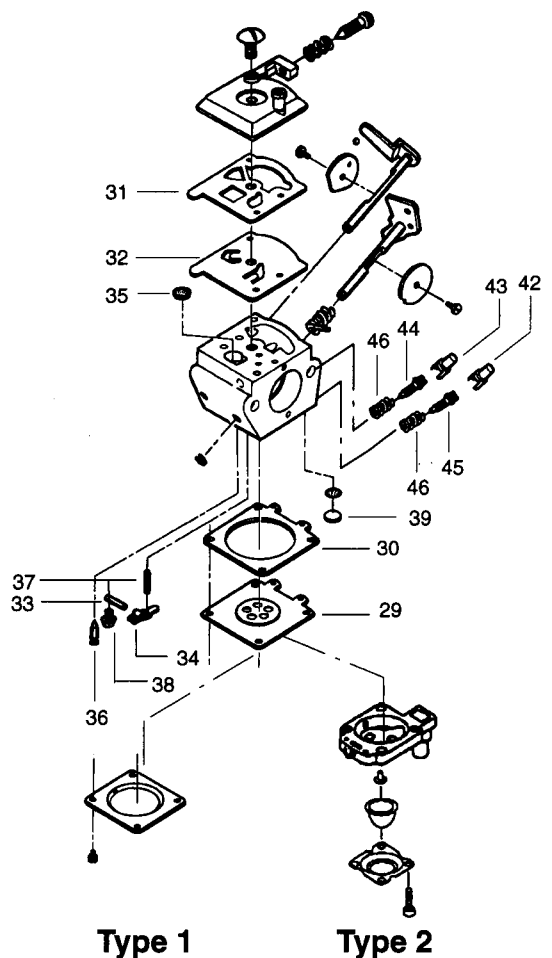


**Type 1 –Carburetor Number
#530035306 – WT-221**
**Type 2 –Carburetor Number
#530069682 – WT-379**



Ref.	Part No.	Description	Ref.	Part No.	Description	Ref.	Part No.	Description
1.	530029954	Ignition Switch	27.	530015805	Screw-Gear	41.	-	Carb. Repair Kit
2.	530036443	Switch Wire Ass'y.	28.	530014399	Gear Box Ass'y. (Incl. 21, 22 & 27)		530035312	Type 1 (Incl. 33-40)
3.	530015775	Screw-Handle Cov.	TYPE 1 ONLY (INCL. 29-40)				-	Type 2 (Incl. 33-40, 42-46 & Primer Bulb)
4.	530029958	Trigger Lever					530069656	Walbro
5.	530015940	Screw-Handle Cov.	29.	530035014	Metering Diaphragm		530069867	Zama
6.	530015770	Screw-Handle Cov.	30.	530035320	Metering Diaphragm Gasket	TYPE 2 ONLY (INCL. 42 & 43)		
7.	530038305	Handle Cover	31.	530035164	Pump Gasket	42.	530038318	Limiter Cap-High
8.	530029956	Throttle Trigger	32.	530035166	Pump Diaphragm	43.	530038317	Limiter Cap-Low
9.	530036122	Throttle Lockout	33.	530035250	Metering Pin	44.	-	Needle-High
10.	530036123	Trigger Spring	34.	530035031	Metering Lever	✓	530035407	Walbro
11.	530015934	Screw-Handle Cov.	35.	530035178	Fuel Inlet Screen	✓	530035443	Zama
12.	530047879	Rear Handle/Tank Ass'y.	36.	530035106	Inlet Needle Valve	✓	-	Needle-Low
13.	530094992	Front Handle	37.	530035139	Metering Lever Spring	✓	530035408	Walbro
14.	530029946	Isolator Spring	38.	530035236	Metering Lever Pin Screw	✓	530035444	Zama
15.	530048113	Clutch Drum	39.	530035162	Welch Plug	✓	530035293	Walbro
16.	530015814	Screw	40.	-	Gasket/Diaphragm Kit (Incl. 29-32)	✓	530035445	Zama
17.	530029916	Gear Box Plate		530035313	Walbro			
18.	530032121	Bushing Blade		530069866	Zama			
19.	530095074	Blade Ass'y.						
20.	530029948	Blade Seal						
21.	530036228	Pinion Ass'y.						
22.	530016013	Drive Gear Bearings						
23.	530069355	Drive Gear Kit						
24.	530036046	Isolator Plate						
25.	530036965	Fuel Cap Ass'y.						
26.	530015955	Screw-Front Handle						

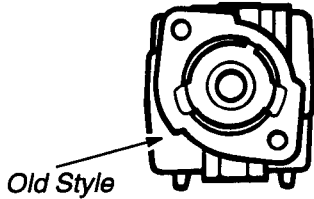
✓ = NEW PART NUMBER FOR THIS IPL

★ = REFER TO THE SERVICE REFERENCE INDICATED FOR MORE INFORMATION. (LOCATED AT END OF IPL)

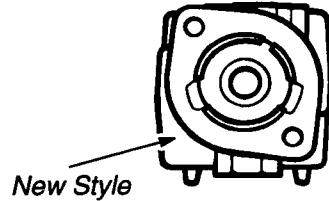
SERVICE REFERENCE

1. Crankcase/Cylinder Assemblies – page 1

When replacing the Cylinder, Crankcase, or Gasket refer to the illustrations below and order accordingly.



Key No. 10 #530069406 Crankcase/Cylinder Kit
& Key No. 41
Key No. 56 #530014395—C'case & C'shaft Ass'y.
Key No. 57 #530069351—Gasket Kit



Key No. 10 #530014861—Crankcase Ass'y.
Key No. 41 – Cylinder
#530069405 Type 1
#530069614 Type 2
Key No. 56 #530014973—C'case & C'shaft Ass'y.
Key No. 57 – Gasket Kit
#530069407 Type 1
#530069616 Type 2

#530069617—Crankcase/Cylinder Kit
(Incl. Ref. 10 & 41)
Type 2

2. **Carburetor** – A small number of units were equipped with carburetor model WT-307 in early 1995. Use replacement and repair kits for carburetor model WT-379 (currently shown on page 2) to service the WT-307.